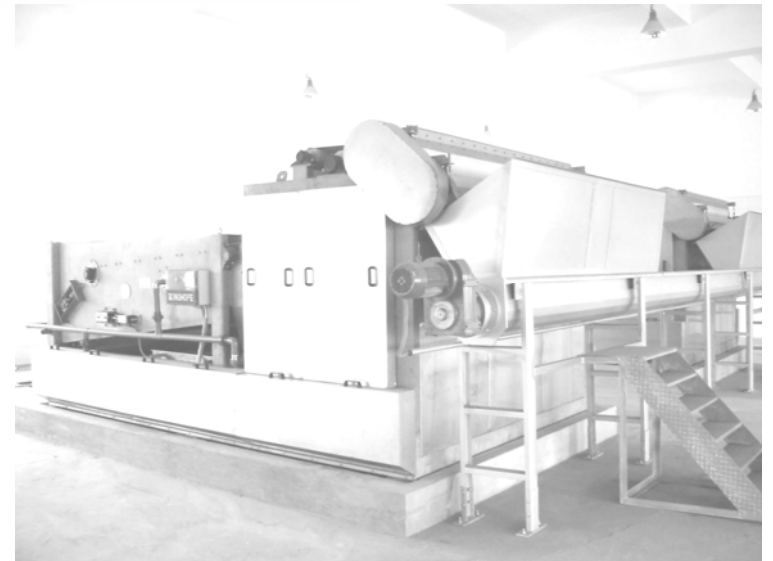


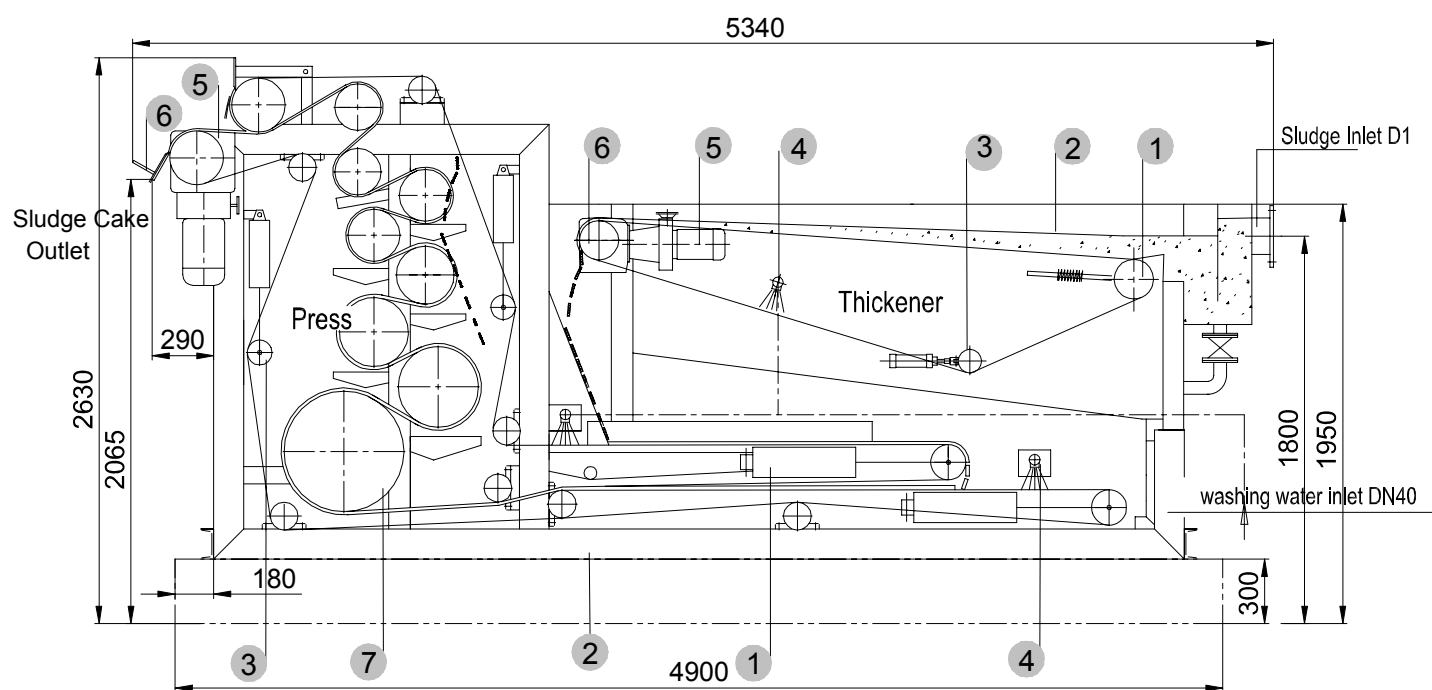
DNYA

BELT PRESS WITH GRAVITY THICKENER

- Design with gravity belt thickener
- More Compact, save more space and money
- Higher sludge cake dumping, enough space for conveyor
- Competent for low concentrate sludge, water ratio can be up to 99.2%



DIMENSION



LEGEND

- | | |
|-----------------------|------------|
| 1 Belt Tension System | 5 Motor |
| 2 Frame | 6 Scrapers |
| 3 Tracking System | 7 Roller |
| 4 Backwash Nozzle | |

SPECIFICATION

Model	Unit	DNY1000A	DNY1500A	DNY2000A	DNY2500A	DNY3000A
Belt Width	mm	1000	1500	2000	2500	3000
Belt Speed	m/min	Gravity Thickener: 3.6 -18, Belt Press:1.3 - 6.5				
Motor Power	kw	0.75+1.1	0.75+1.5	0.75+2.2	0.75+2.2	1.1+3.0
Backwash Water Pressure	MPa	≥0.5				
Backwash Water Flux	m ³ /h	9~15	12~18	15~25	20~30	25~36
Net Weight	kg	5200	6850	7500	8700	9800
Loaded Weight	kg	5600	7300	8100	9450	10700
Dimensions (Length×Width×Height)	mm	5340×1850×2325	5340×2350×2325	5340×2850×2325	5340×3400×2325	5340×3900×2325

FOUNDATION REQUIREMENTS

Model	DNY1000A	DNY1500A	DNY2000A	DNY2500A	DNY3000A
Inlet D1 (DN,mm)	100	150	150	150	200
Load F1 (N)	10000	12500	14000	16000	18000