



Industrial Range

MODEL

580HX

DUAL RANGE TESTER



Hydraulic
Dead-Weight
Testers.

Primary standards
for Pressure
Calibration

- ▶ Range from 1 - 1200 bar
- ▶ Supplied with software

- ▶ Standard Accuracy to 0.015%
- ▶ Class 'A' Accuracy to 0.007%



DH-Budenberg
The Pressure Reference

Industrial Range

MODEL

580HX DUAL RANGE TESTER

Hydraulic
Dead-Weight
Testers.

Primary standards
for Pressure
Calibration

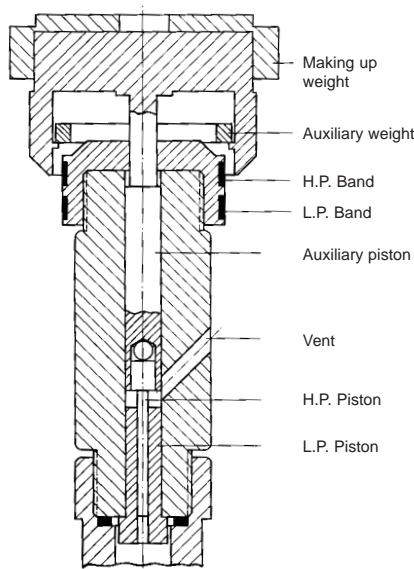
Standard Accuracy to 0.015%
Class A with UKAS
Calibration Certificate 0.007%

RANGES:

1200 bar 16000 lb/in²
120000 kPa 1200 kg/cm²

ACCURACY

All certificates issued for DH-Budenberg Dead-weight Testers are fully traceable to national standards via equipment with UKAS calibration certificates. A standard accuracy of 0.015% is achieved from 10% of range using software supplied to compensate for the effects of gravity, temperature and the actual area of piston unit. Standard accuracy without any corrections for actual area is 0.02% from 6 to 1200 bar, 0.025% from 1 to 6 bar. Higher accuracy Class A testers are available (supplied with UKAS Calibration certificates for area and mass) allowing an accuracy of 0.007% to be achieved.



580 SERIES BASE

The 580 series base can be used with any of the 580 series pistons to give ranges 1 - 120 bar with a 580L, 2 - 300 bar with a 580M, 1 - 700 bar with a 580DX, and 1 - 1200 bar with a 580HX.

All units are top loading for ease of use and weight sets are fully interchangeable. This means that weight sets in alternative pressures are readily available and customers with more than one 580 series tester can interchange weight sets between tester of the same range.

The base features a dual area screwpress which allows low pressure priming and high pressure control. The 580HX is a dual area piston/cylinder unit with 1/8in² and 1/160in² areas. Changing between ranges is fully automated meaning that users have an extremely flexible instrument covering the range with one piston/cylinder assembly and one weight set. The low pressure piston / high pressure cylinder is tungsten carbide, other parts are fully hardened and stabilised tool steel.

Please note: Due to DH-Budenberg's policy of continuous improvements, specifications may be subject to change without notice.

WEIGHTS SUPPLIED

bar or kg/cm ²	kPa	lb/in ²
Low range 1-60	Low range 100-6000	Low range 10-800
High range 20-1200	High range 2000-120000	High range 200-16000
Piston 1 or 20 1 wt 9 or 180 4 wts 10 or 200 1 wt 5 or 100 2 wts 2 or 40 1 wt 1 or 20 1 wt 0.5 or 10	Piston 100 or 2000 1 wt 900 or 18000 4 wts 1000 or 20000 1wt 500 or 10000 2 wts 200 or 4000 1wt 100 or 2000 1wt 50 or 1000	Piston 10 or 200 1 wt 90 or 1800 6 wts 100 or 2000 1 wt 50 or 1000 2 wts 20 or 400 1 wt 10 or 200 1 wt 5 or 100
Optional fine increment weights 2 wts 0.2 or 4 1 wt 0.1 or 2 1 wt 0.05 or 1 2 wts 0.02 or 0.4 1 wt 0.01 or 0.2	2 wts 20 or 400 1wt 10 or 200 1wt 5 or 100 2 wts 2 or 40 1wt 1 or 20	2 wts 2 or 40 1 wt 1 or 20 1 wt 0.5 or 10 2 wts 0.2 or 4 1 wt 0.1 or 2

SOFTWARE

For maximum ease of use, computer software is supplied with all units. There are two software packages, one for standard accuracy, one for Class A. The software allows the users to correct for the effects of environmental factors such as gravity and temperature and to determine the precise pressure generated by the Dead-weight testers.

ACCESSORIES

There are many accessories which can be supplied for use with the Dead-weight testers. These include liquid / liquid seals, two gauge stands and many others. DH-Budenberg have extensive experience in the use of Dead-weight testers and can supply accessories for many applications. A separate data sheet of accessories is available.

PACKING DETAILS

1 carton containing base, tool roll and piston unit:
59 x 49 x 38cm. 0.110m³, Nett 20kg, Gross 22kg.
1 carton containing weights:
32 x 32 x 38cm. 0.04m³, Nett 52.5kg, Gross 56kg.

SPARES, REPAIR AND RE-CERTIFICATION

Comprehensive service and calibration capability of both DH-Budenberg and non DH-Budenberg test equipment:

Dead-weight Testers (working service or full overhaul).

Gauges (all types, all manufacturers).

Portable calibrators (DH-Budenberg & non- DH-Budenberg).

Comparators.

All accuracy ranges can be supplied with UKAS Calibration Certificates.

Certification traceable to national standards.

Rapid turn-around times and hire items available as a temporary replacement for strategically important plant.

For further information on Accessories, and other product information contact DH-Budenberg and ask for a Data sheet.

DH-Budenberg Ltd.
2 Gilchrist Road,
Northbank Industrial Estate,
Irlam, Manchester, UK, M44 5AY.
Tel: +44 (0)870 7877370.
Fax: +44 (0)870 7877369.
Email:
sales@dh-budenberg.co.uk

DH-Budenberg S.A.
56, rue des Ecoles,
93303 Aubervilliers, BP125,
Cedex, France.
Tel: +33 (0)1 48 39 83 00.
Fax: +33 (0)1 48 33 65 90.
Email:
dhone@desgranges.com

DH-Budenberg GmbH.
Raiffeisenstrasse 2,
D-63110 Rodgau,
Germany.
Tel: +49 (0)6106 82 940.
Fax: +49 (0)6106 82 9417.
Email:
kontakt@dh-budenberg.de

DH-Budenberg Inc.
201A Barnes Drive,
San Marcos,
TX 78666, USA.
Tel: (Toll Free) 1 877 713 2733.
Tel: +1 512 353 3133.
Fax: +1 512 353 3106.
Email:
sales@dh-budenberginc.com

DH-Budenberg
Instrumentation Pvt Ltd.
299-300, 2nd Main Road,
Nehru Nagar, Old Mahabalipuram Road,
Chennai 600 096, India.
Tel: +91 44 2448 2014.
Fax: +91 44 2448 2862.
Email: dhbudenberg@vsnl.net

DH-Budenberg FZCO.
Dubai Airport Free Zone, Phase 4,
Office No. 114A, PO Box 54639,
Dubai, United Arab Emirates
Tel: +971 50 6544840.
Fax: +971 4 2610085.
Email:
sales@dh-budenbergfzco.com